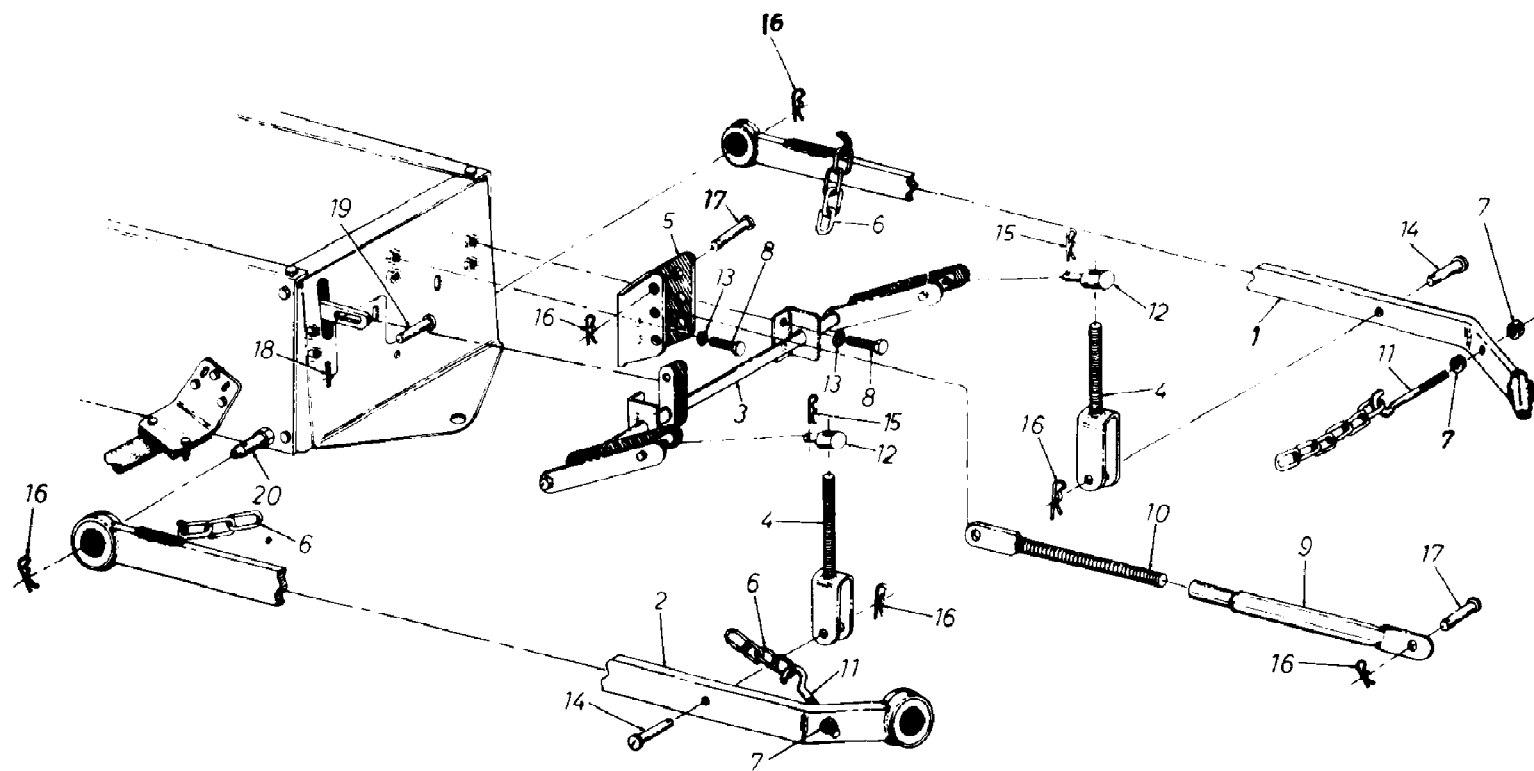


190-951-190 3 Point Hitch (1987)
Three Point Hitch Assembly



190-951-190 3 Point Hitch (1987)
Three Point Hitch Assembly

Page 2 of 2

| Ref # | Part Number | Qty | S/P/F | Description |
|-------|-------------|-----|-------|-----------------------------------|
| 1 | 13129 | 1 | S | Draft Bar Assembly-R.H. |
| 2 | 13130 | 1 | S | Draft Bar Assembly-L.H. |
| 3 | 13135 | 1 | S | Rear Lift Shaft Assembly |
| 4 | 13138 | 1 | | Clevis Screw Assembly |
| 5 | 13026 | 1 | S | Hitch Bracket |
| 6 | 713-0148 | 1 | | Chain 20 links |
| 7 | 712-0290 | 1 | /P | Hex Cent. L.-Nut 7/16-14 Thd. |
| 8 | 710-0514 | 1 | /P | Hex Bolt 5-3/8-16 x Lg. Grade 5 |
| 9 | 749-0238 | 1 | S | Clevis Tubing |
| 10 | 711-0636 | 1 | | Clevis Screw |
| 11 | 711-0639 | 1 | | Hitch Chain Hook |
| 12 | 711-0649 | 1 | | Clevis Pin |
| 13 | 736-0217 | 1 | S | L.-Wash. 3/8" I.D.* |
| 14 | 711-0225 | 1 | /P | Clevis Pin 5/8 Dia. x 1.66 Lg. |
| 15 | 714-0147 | 1 | | Hairpin |
| 16 | 714-0117 | 1 | /P | Hairpin |
| 17 | 711-0299 | 1 | /P | Clevis Pin 5/8 Dia. x 2.4 Lg. |
| 18 | 714-0470 | 1 | S | Cotter Pin 1/8 Dia. x 1-1/4 Lg.* |
| 19 | 711-0654 | 1 | /P | Clevis Pin |
| 20 | 711-0497 | 1 | | Link Clevis Pin (Not part of kit) |